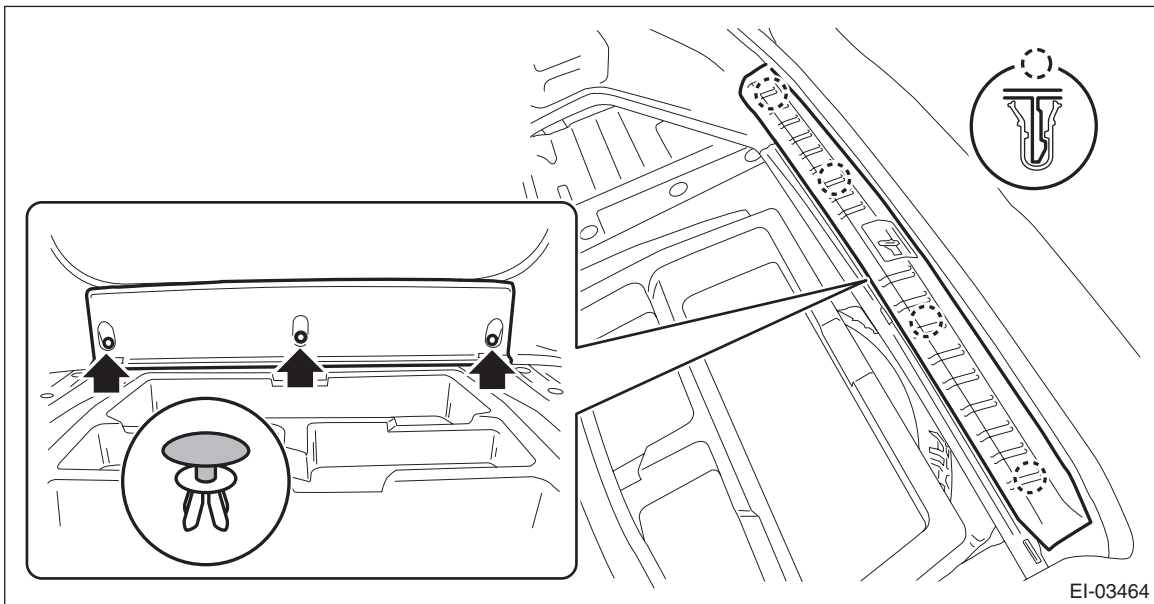


8. Rear Bumper

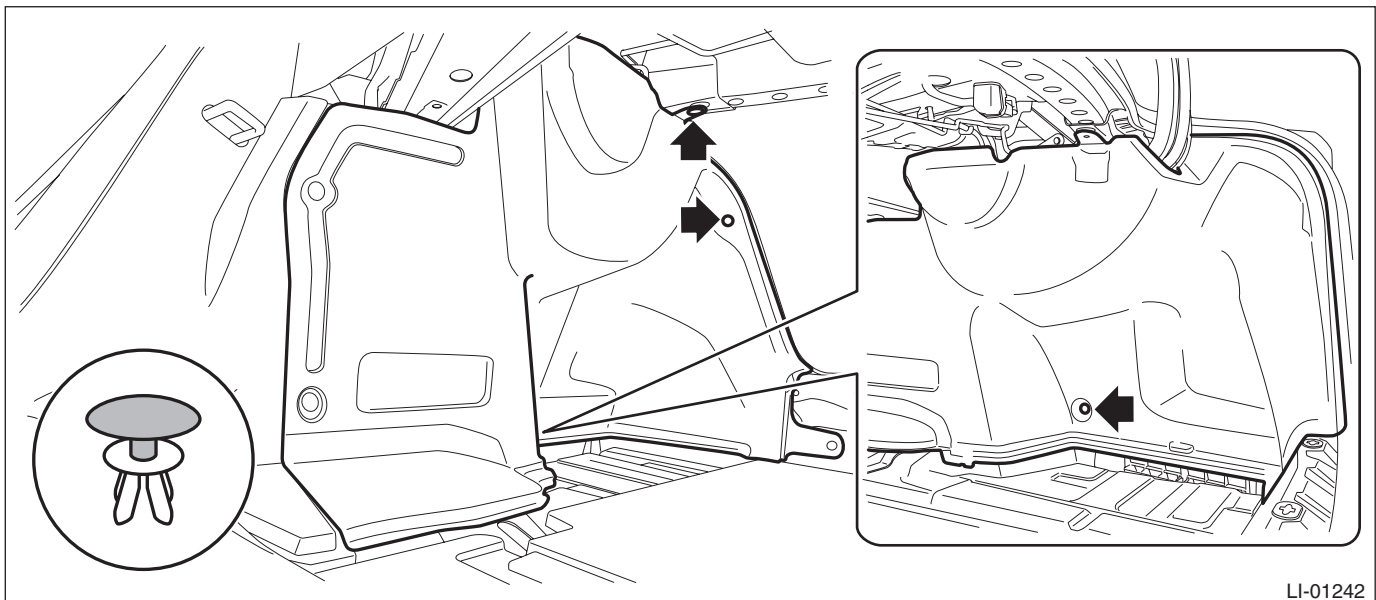
A: REMOVAL

1. 4 DOOR MODEL

- 1) Disconnect the ground cable from battery.
- 2) Remove the trunk room mat.
- 3) Remove the trim panel - trunk rear.
 - (1) Remove the clip.
 - (2) Release the claws, and remove the trim panel - trunk rear.

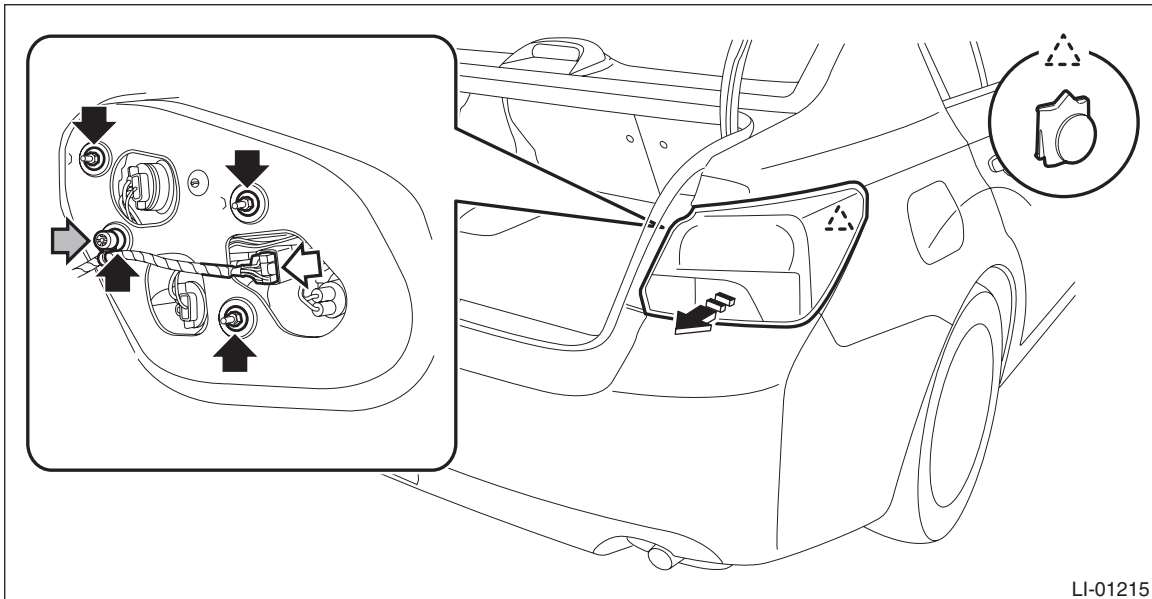


- 4) Remove the clips, and turn over the trim panel - trunk side.

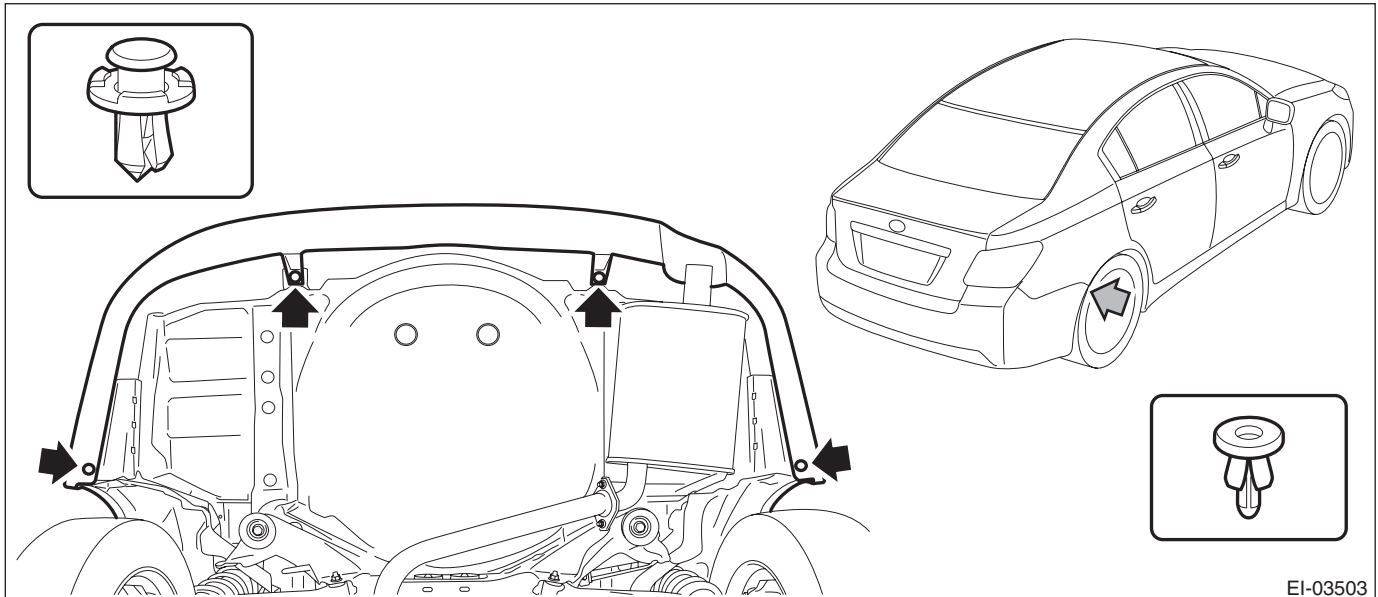


- 5) Remove the light assembly - rear combination.
 - (1) Remove the harness clamp and connector.
 - (2) Release the nuts and clips, then remove the light assembly - rear combination.

CAUTION:
Be careful not to damage the clips.



- 6) Remove the bumper face - rear.
 - (1) Remove the clips inside the wheel housing.
 - (2) Remove the clips at the lower side of the bumper face - rear.



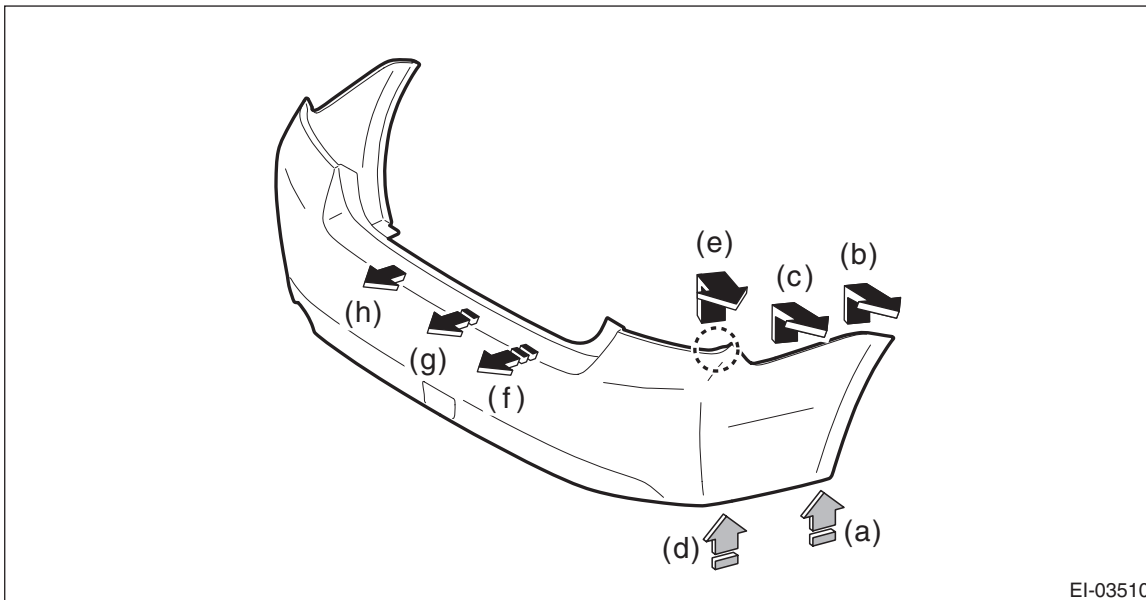
Rear Bumper

EXTERIOR/INTERIOR TRIM

- (3) Detach (b) and (c) while pulling up (a) of the bumper face - rear.
- (4) Detach (e) while pulling up (d) of the bumper face - rear.
- (5) Detach the opposite side in the same manner.
- (6) Detach in order from (f) to (h) while pulling up the center part of the bumper face - rear.

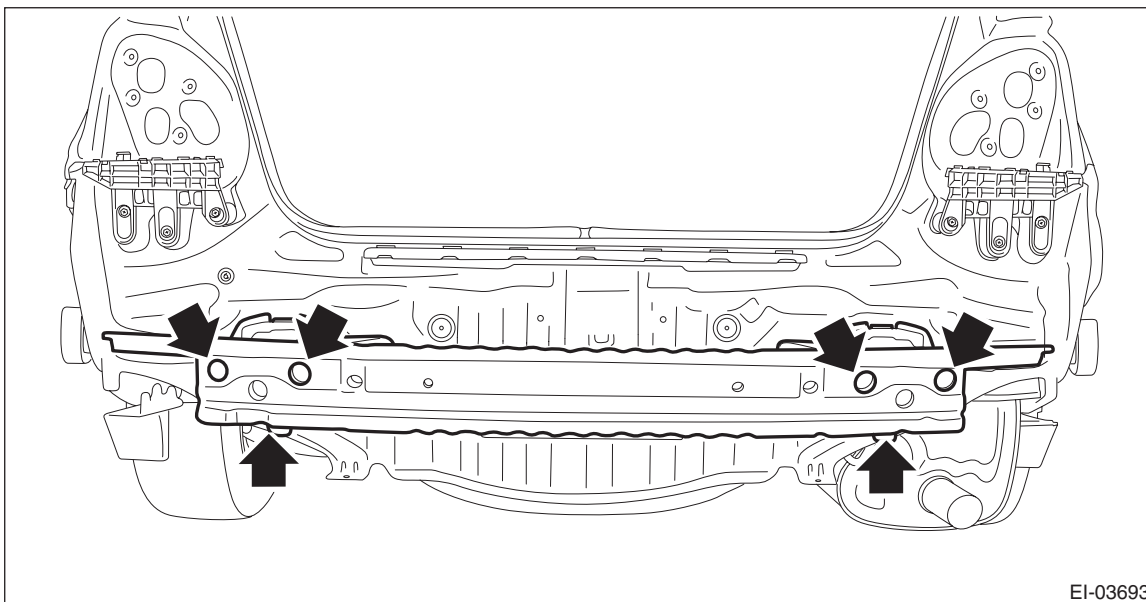
CAUTION:

Pulling with excessive force may damage the bracket.



EI-03510

- 7) Remove the bolts and nuts, and remove the bumper beam COMPL - rear.



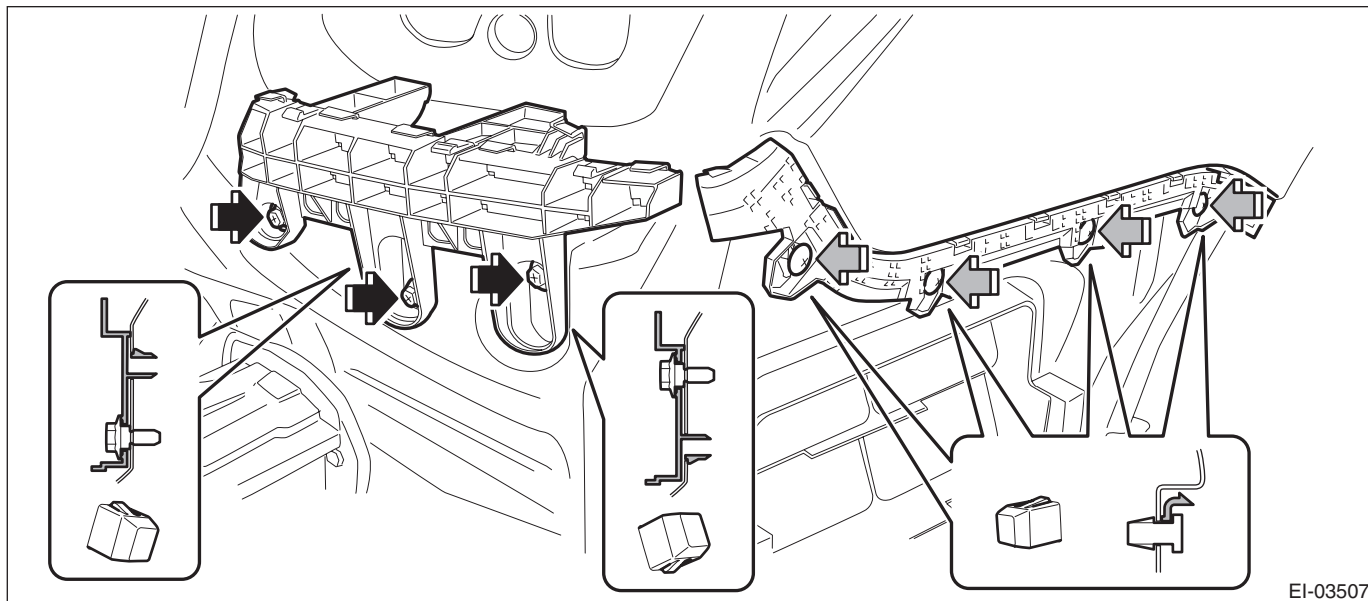
EI-03693

NOTE:

After all nuts are removed, raise the bumper beam COMPL - rear a little to remove it from vehicle body.

8) Remove bumper brackets.

- (1) Remove the screws.
- (2) Turn over the trim panel - trunk side, and detach the claw of the clip from the back side.



2. 5 DOOR MODEL/XV MODEL

1) Disconnect the ground cable from battery. <Ref. to NT-5, BATTERY, NOTE, Note.>

NOTE:

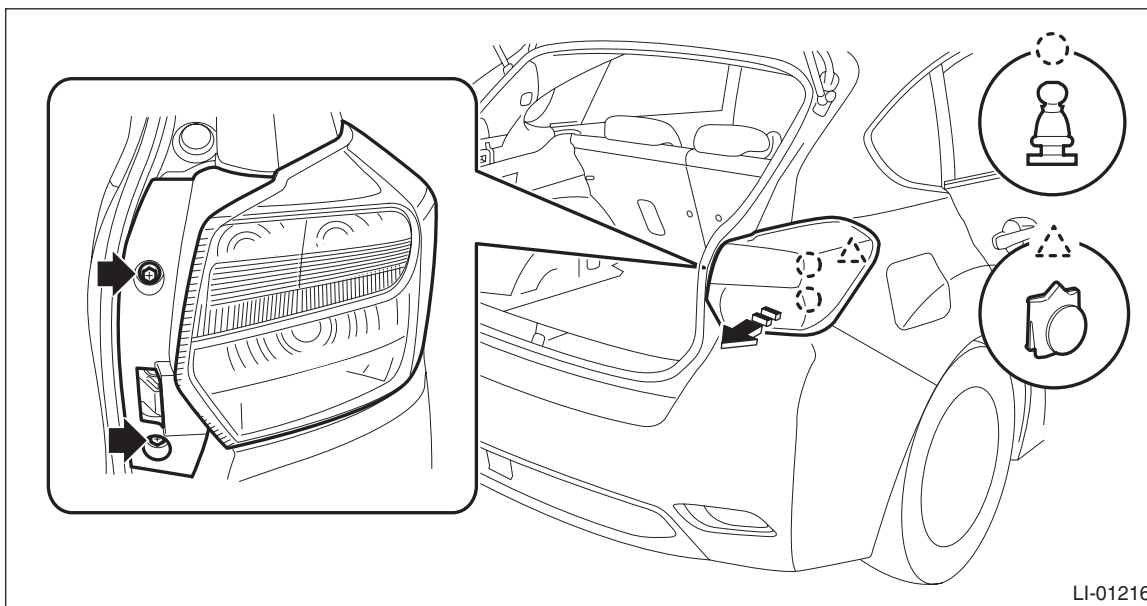
For the 12 volt engine restart battery of HEV model, disconnect the ground terminal from 12V engine restart battery sensor.

2) Remove the light assembly - rear combination.

CAUTION:

Be careful not to damage the clips.

- (1) Release the bolts and clips, then pull out the light assembly - rear combination to the vehicle rear.
- (2) Disconnect the connector and remove the light assembly - rear combination.

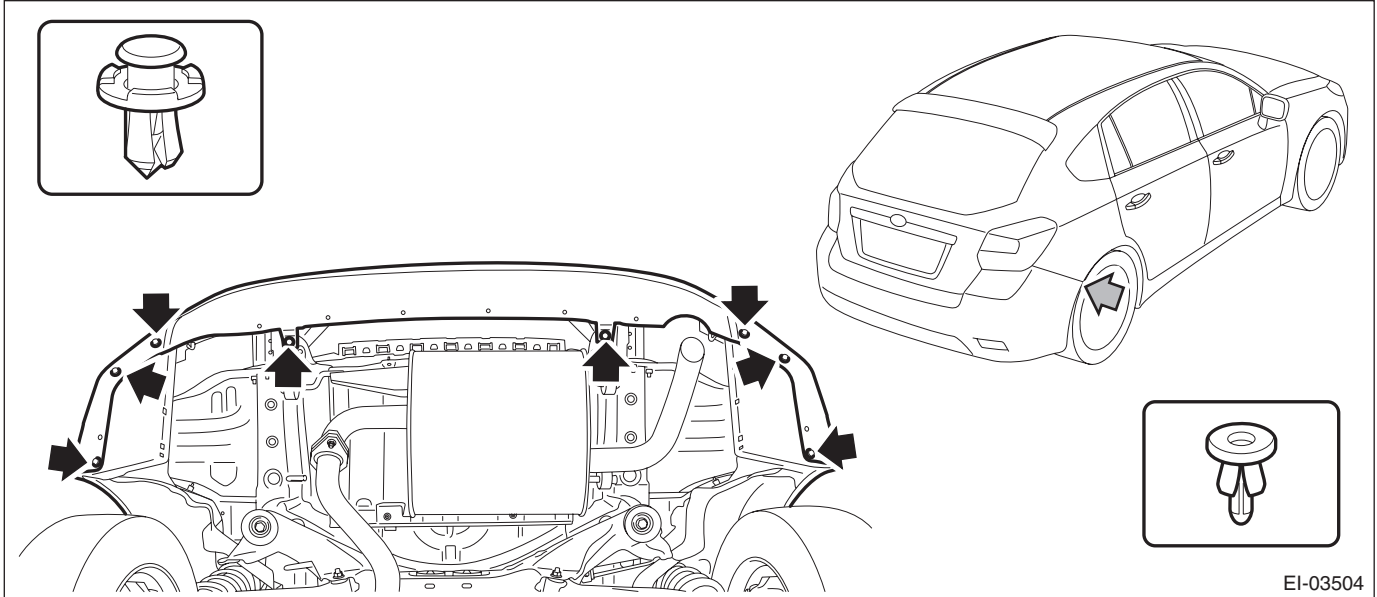


Rear Bumper

EXTERIOR/INTERIOR TRIM

3) Remove the bumper face - rear.

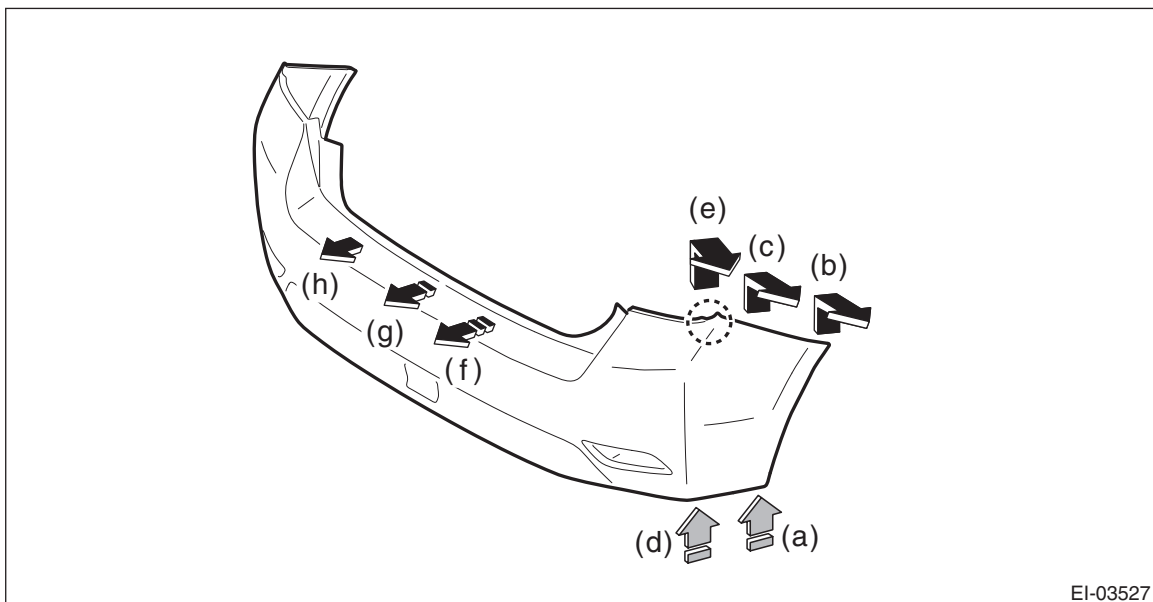
- (1) Remove the clips inside the wheel housing.
- (2) Remove the clips at the lower side of the bumper face - rear.



- (3) Detach (b) and (c) while pulling up (a) of the bumper face - rear.
- (4) Detach (e) while pulling up (d) of the bumper face - rear.
- (5) Detach the opposite side in the same manner.
- (6) Detach in order from (f) to (h) while pulling up the center part of the bumper face - rear.

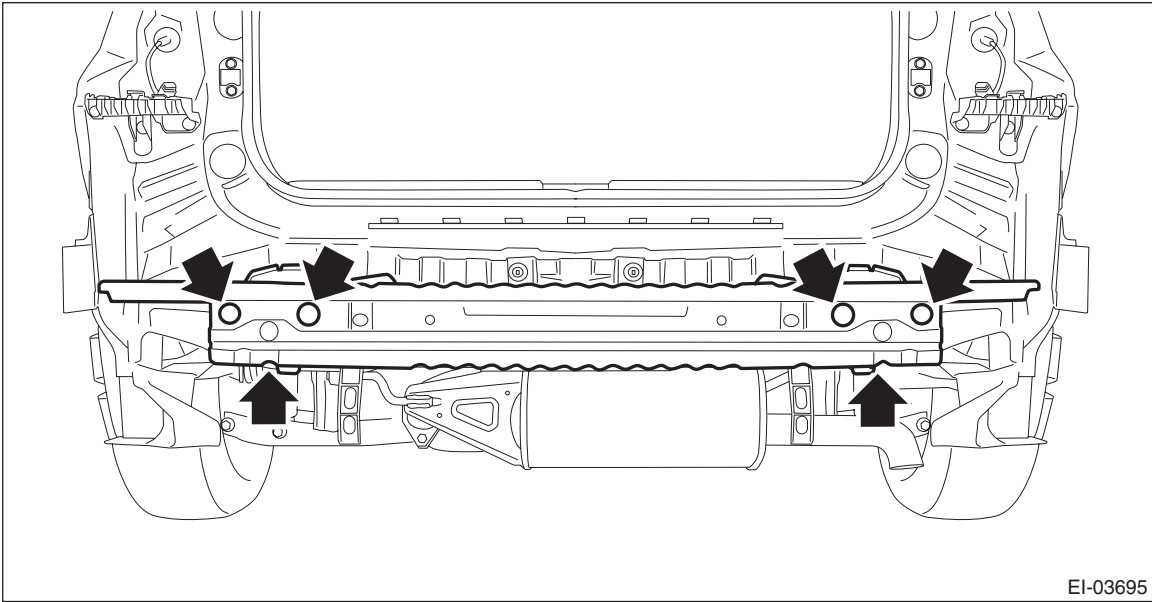
CAUTION:

Do not pull forcibly. It may damage the flange section on the bumper face - rear side when it comes off from the claws of the bracket - rear bumper.

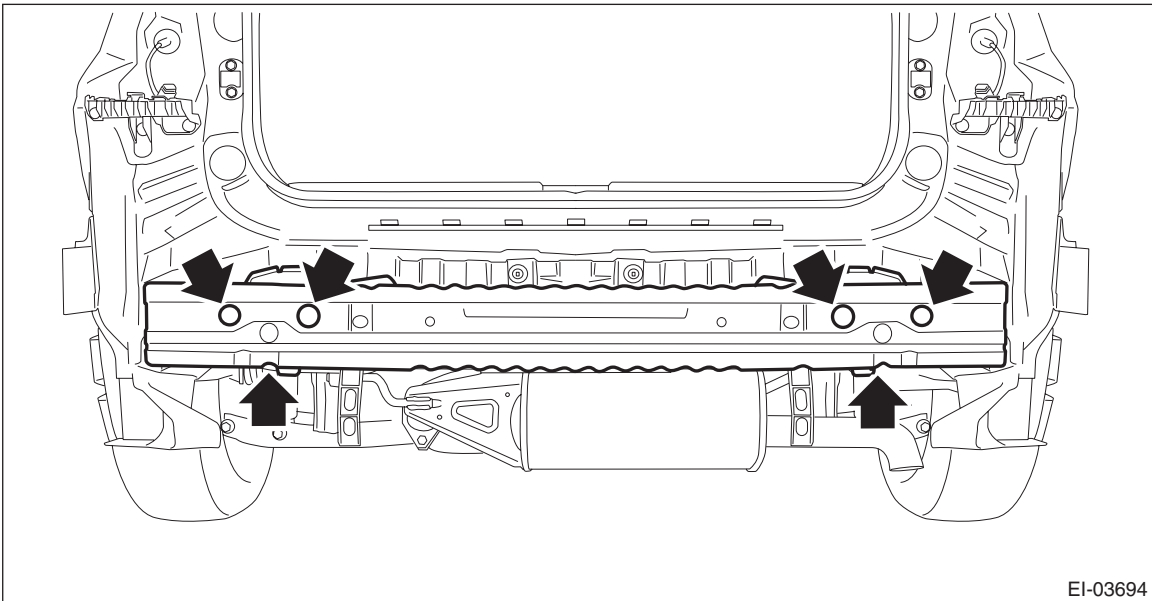


Rear Bumper

- 4) Remove the bolts and nuts, and remove the bumper beam COMPL - rear.
- Except for XV model



- XV model



NOTE:

After all nuts are removed, raise the bumper beam COMPL - rear a little to remove it from vehicle body.

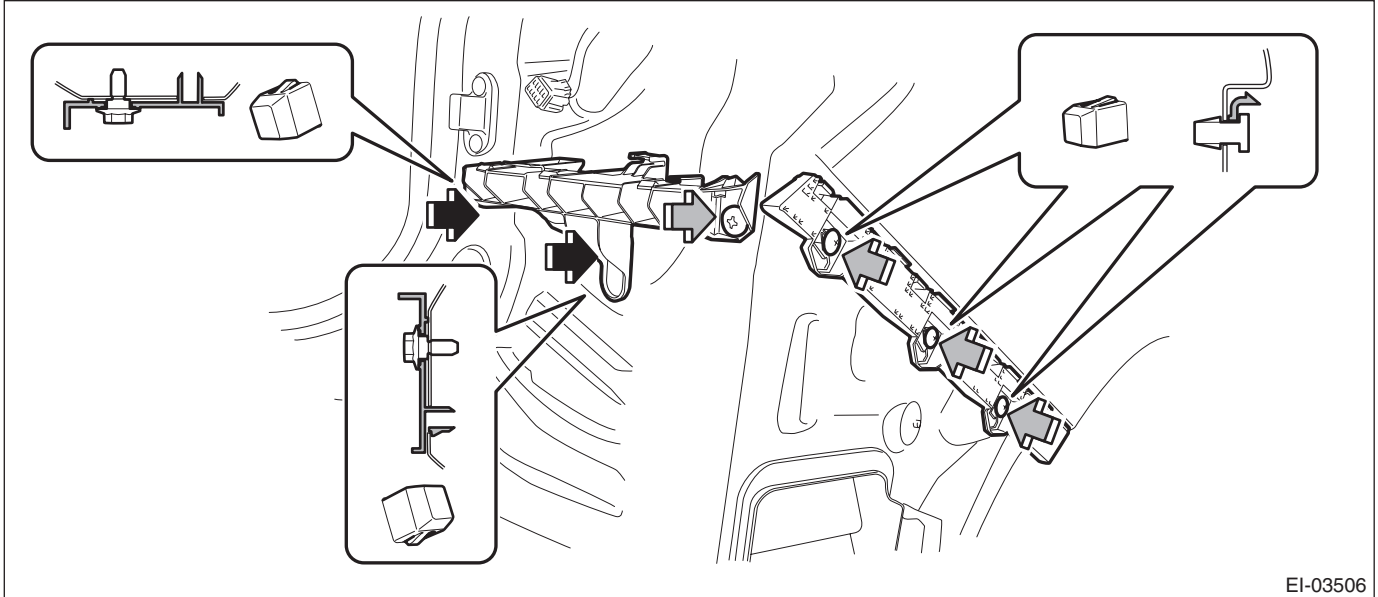
Rear Bumper

EXTERIOR/INTERIOR TRIM

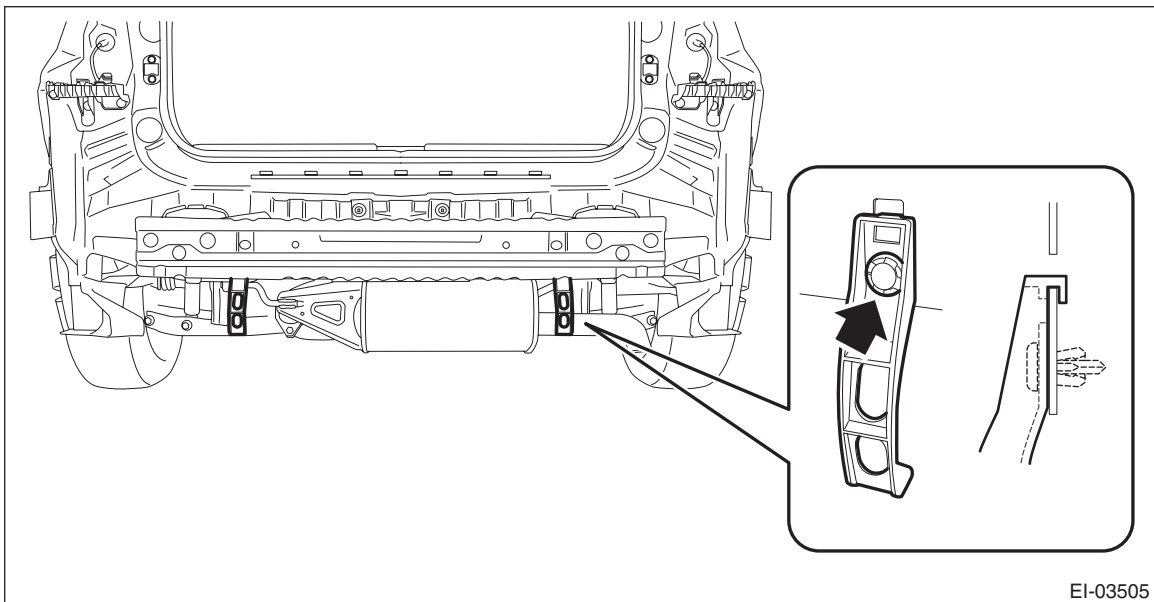
5) Remove bumper brackets.

(1) Remove the screws.

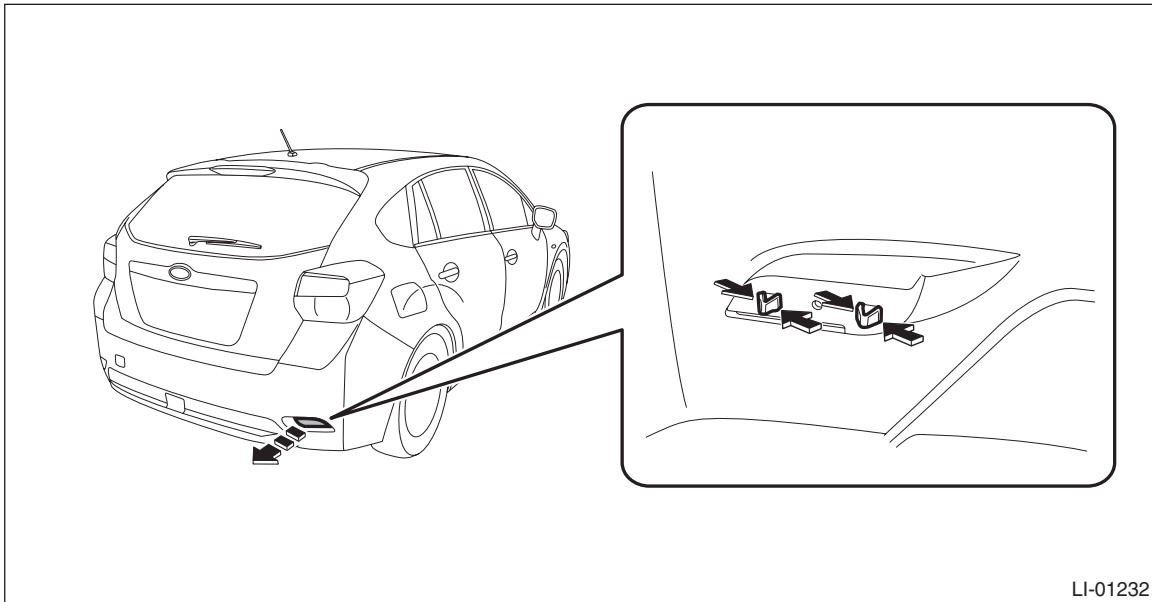
(2) Turn over the trim panel - trunk side, and detach the claw of the clip from the back side.



(3) Remove the clip, and remove the bracket - rear bumper lower.



6) From behind the bumper, release the claws, and remove the reflex reflector assembly.

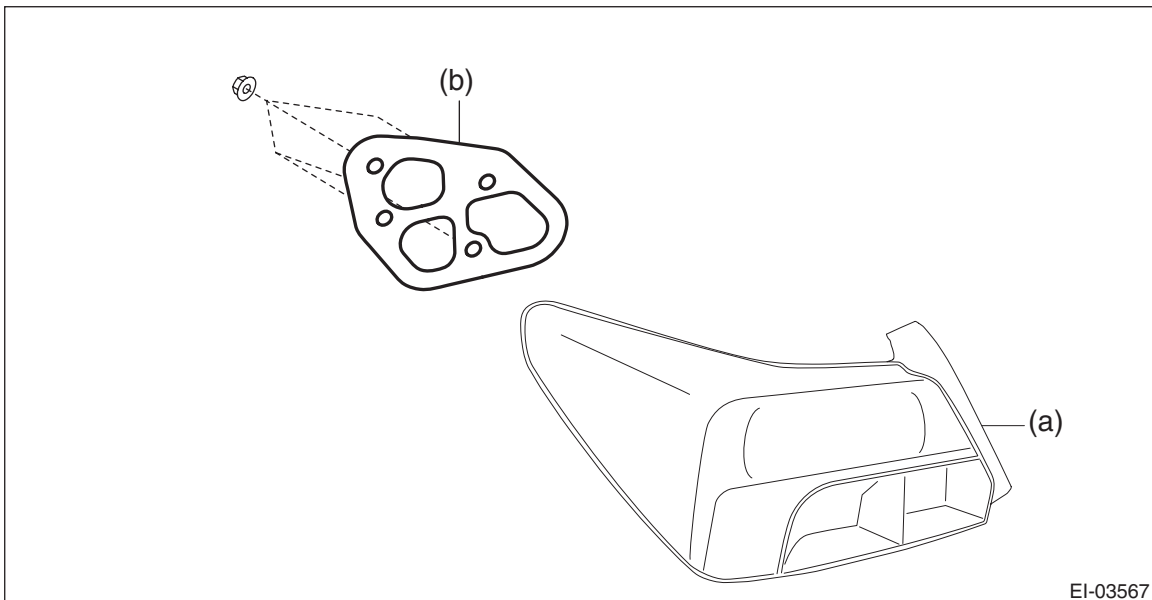


B: INSTALLATION

Install each part in the reverse order of removal.

CAUTION:

- For 4 door model, replace the seal gasket (b) of rear combination light assembly (a) with a new part. If the seal gasket is reused, water leaks may occur.



- Before installing the bumper face, match the claws on the bracket - rear bumper with the engaging position of flange section on the bumper face side. If the engaging position is not correct, the flange section may be broken or the clearance between fender panel and bumper face may not be uniform.

NOTE:

If the bumper face - rear comes off too easily, adjust the hook of the bracket side.

Tightening torque:

Rear bumper component: <Ref. to EI-8, REAR BUMPER, COMPONENT, General Description.>

Light assembly - rear combination: 7.5 N·m (0.76 kgf-m, 5.5 ft-lb)

Rear Bumper

EXTERIOR/INTERIOR TRIM

C: REPAIR

Refer to the description concerning repair in "Front Bumper" section. <Ref. to EI-47, REPAIR, Front Bumper.>